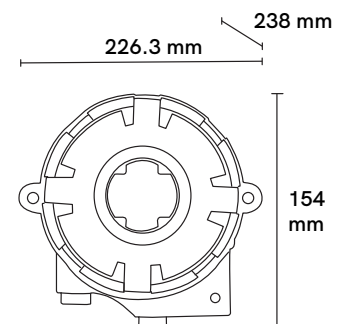


Explosion Proof Sampling Flammable Gas Detector GTD-5000F



Specifications

- ✓ Calibration and program setting with a magnet bar
- ✓ Easy replacement with a cartridge type sensor
- ✓ Gas sampling detector
- ✓ Self-diagnosis function
- ✓ Wide variety of gasses with a range of 0-100% LEL
- ✓ Compatible with GDA controllers which are connected to tower lights



Contact us > 07 4613 5111 - sales@gasdetect.com.au