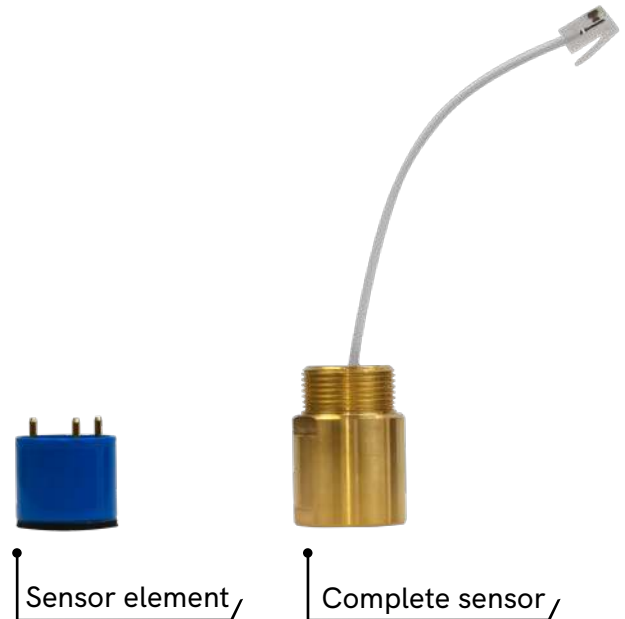


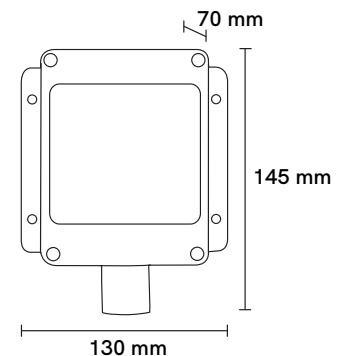
# E-Sense Oxygen (O<sub>2</sub>)



\*Replacement sensor requires full calibration.

## Specifications

- ✓ Electrochemical gas sensor
- ✓ Range: 0-25% Vol
- ✓ Easy calibration and maintenance
- ✓ Loop powered 4-20 mA output
- ✓ Replaceable sensor element or complete sensor options
- ✓ Calibration kit available



Contact us > 07 4613 5111 - [sales@gasdetect.com.au](mailto:sales@gasdetect.com.au)

# E-SENSE



## Electrochemical Sensor Replacement Options

### Option 1 Sensor Element



### Option 2 Complete Sensor Replacement



Contact us > 07 4613 5111 - [sales@gasdetect.com.au](mailto:sales@gasdetect.com.au)