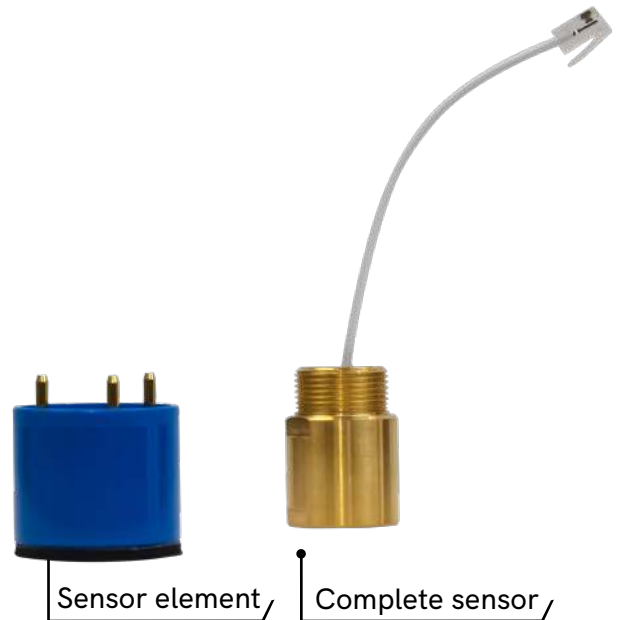


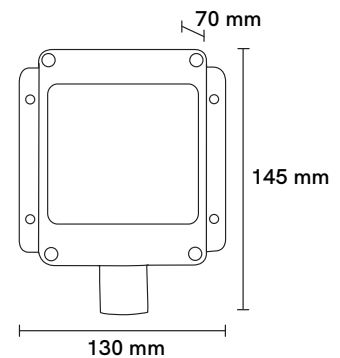
E-Sense Ammonia (NH₃)

2726



Specifications

- ✓ Electrochemical gas sensor
- ✓ Ranges: 0-150 ppm, 0 - 300 ppm, 0 - 1000 ppm
- ✓ Easy calibration and maintenance
- ✓ Loop powered 4-20 mA output
- ✓ Replaceable sensor element or complete sensor options
- ✓ Calibration kit available



Contact us > 07 4613 5111 - sales@gasdetect.com.au

E-SENSE



Electrochemical Sensor Replacement Options

Option 1 Sensor Element



Option 2 Complete Sensor Replacement



Contact us > 07 4613 5111 - sales@gasdetect.com.au