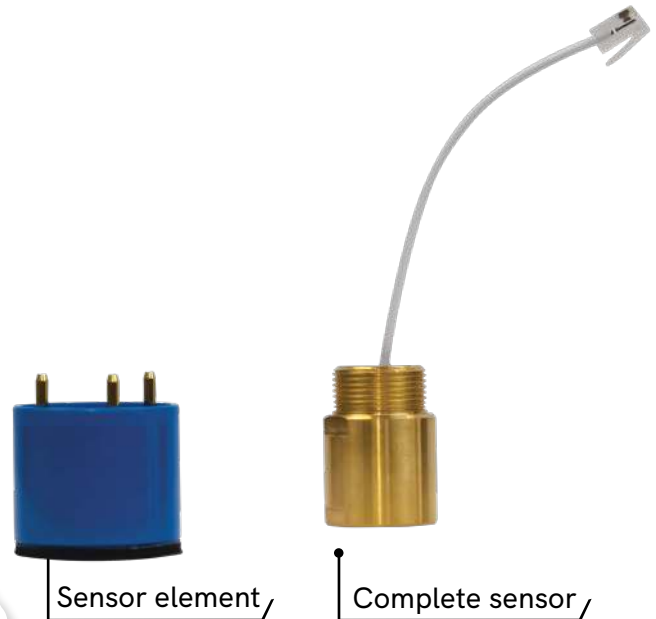


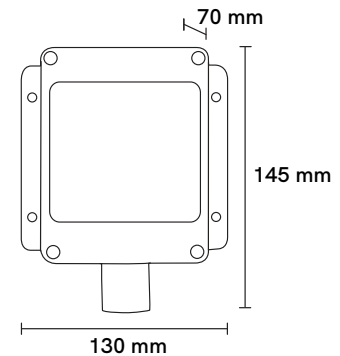
E-Sense Carbon Monoxide (CO)



*Replacement sensor requires full calibration.

Specifications

- ✓ Electrochemical gas sensor
- ✓ Ranges: 0-100 ppm, 0 - 200 ppm
- ✓ Easy calibration and maintenance
- ✓ Loop powered 4-20 mA output
- ✓ Replaceable sensor element or complete sensor options
- ✓ Calibration kit available



Contact us > 07 4613 5111 - sales@gasdetect.com.au

E-SENSE



Electrochemical Sensor Replacement Options

Option 1 Sensor Element



Option 2 Complete Sensor Replacement



Contact us > 07 4613 5111 - sales@gasdetect.com.au