

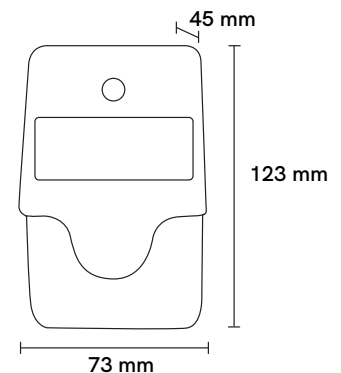
# Sounder Flasher

## AVR-20RM



## Specifications

- ✓ Operation +24 VDC
- ✓ High intensity flasher
- ✓ Sounder 90dB at 1m
- ✓ Operation temperature (-10 ~ 45 °C)
- ✓ Sounder mutable used with GDA Mute Switch
- ✓ Can be wired as flasher only



Contact us > 07 4613 5111 - [sales@gasdetect.com.au](mailto:sales@gasdetect.com.au)