

Refrigerant Flush Mount Gas Detector

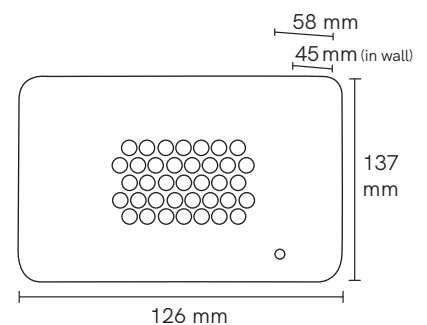
3160
Series



Gas types > R 134a | R 410a | R 123 | R 22 | R 404a | R 514a | R 1234ze | R 407c

Specifications

- ✓ Standalone system or 4-20mA output
- ✓ Infra-red sensor NDIR
- ✓ Low cross sensitivity
- ✓ Calibration kit available
- ✓ 1 alarm relay (volt free)
- ✓ Non-obstrusive flush mount
- ✓ Apartments and office buildings
- ✓ Internal Buzzer



Contact us > 07 4613 5111 - sales@gasdetect.com.au